

ACRYLINE[®]
Spa Baths

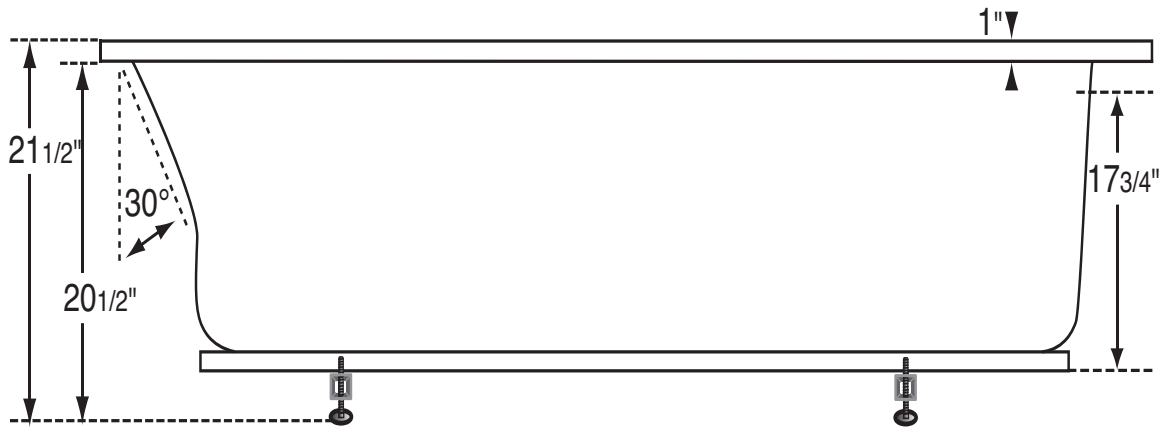
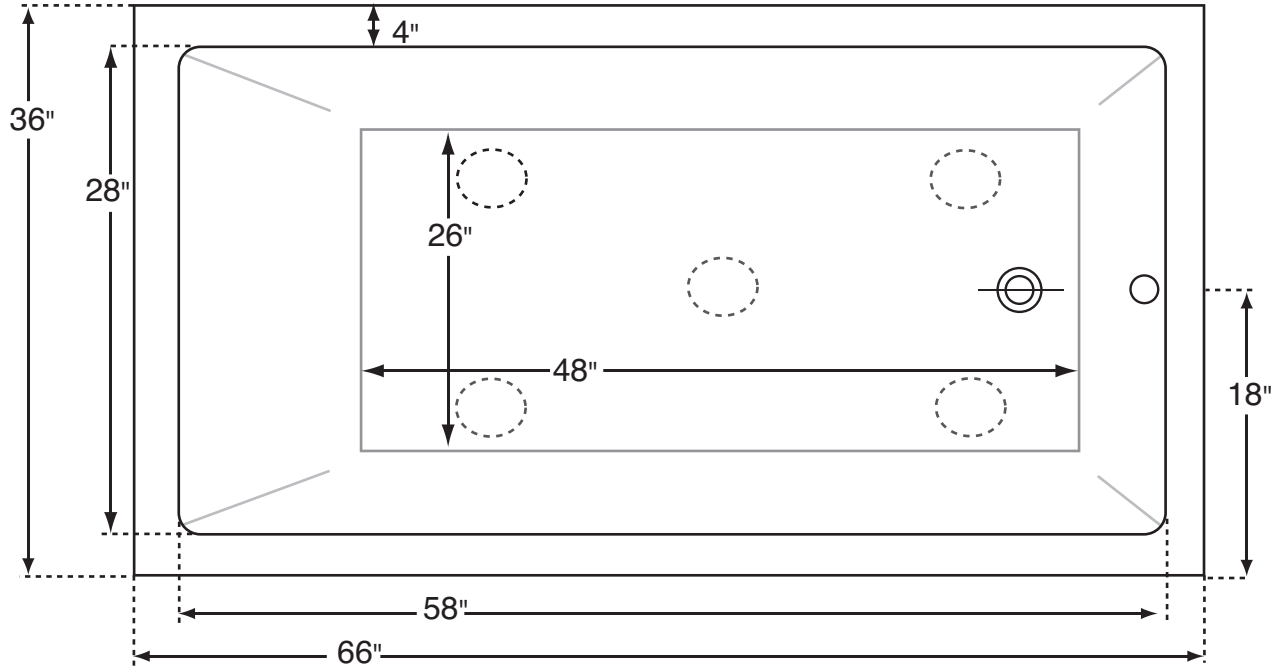
Bliss II



www.acryline.ca

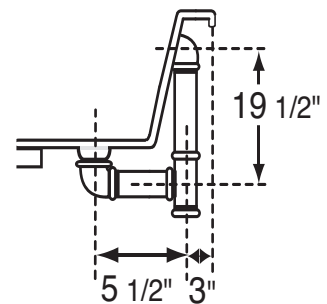
Bliss II

Encore Collection



Overall outer dimensions may vary plus or minus 1/4 inch.
Inner dimensions of flat surfaces show minimum flat surface.
Radius or curve length is not shown.
The sum of the flat surface dimensions
will not equal overall length.

All published dimensions are for reference
only. Any critical dimensions required
for installation should be taken directly
from the bath being installed.



Bliss II

Encore Collection Technical Specification

SYSTEMS AVAILABLE	STATISTICS	CONFIGURATIONS
True Drain Channel 65 Air Portals (Intermediate to Highly Vigourous Massage)	Size: 60"L X 36"W X 21 ^{1/2} "H	Heated Head/Neck rest(s): 1
Injection Air 18 Injectors (Light to Intermediate Massage)	Gallons US: 70 Liters: 266	Armrests : 0
Ultimate Combination 65 Air Portals + 18 Injectors (Light to Highly Vigourous Massage)	No. of Bathers: 1	Raised Seats : 0
	Lumbar Support : 1	Reveal: 1 "
	Water Depth : 17 3/4"	Applications: Recessed, Drop-in or Undermount

STANDARD FEATURES	OPTIONAL FEATURES	
Standard Colors : White, Bone or Biscuit	Chromotherapy Lights : 2 LED	
1Hp heated blower motor(s) with silencer (1 per system)	Grab Bars : Qty: 1 or 2	Size 8" or 12" ,
Multifunction electronic control(s)	Tiling Flange: Integral or None	
Heat management system	Skirt : Easy Access skirt, Easy Step skirt or Rectangular skirt.	
3 Preprogrammed therapeutic massages (per system)	Relocation Kits / Extension Wires : Up to 12'	
Programmable auto dry cycles	Non-Standard Colors: Consult Factory for availability.	
Self supporting steel frame.	Turnstyle Drain: Available in White, Biscuit, Bone, Chrome, Brushed Nickel or Gold.	
Adjustable (<i>leveling</i>) cadmium legs.		

STANDARDS
ANSI Z124.1 / CSA B45.5-02, CSA B45.0-02
UL1795 Third Edition, Rev. Sept.2006 CSA C22.2 No.218.2-93 (R2004)ASME A112.19.7

Electrical Requirements

-Single system baths require a dedicated 15A, 120V, circuit protected by a ground fault circuit interrupter. (GFCI)
-Ultimate Combination system baths require **2** dedicated 15A, 120V, circuits protected by a ground fault circuit interrupter. (GFCI)
Always consult local electrical code for requirements

Notes

All published dimmensions are for reference only. Acryline accepts a 1/4"(0.64 cm) variance. Technical specifications are subject to change when product improvements are performed. All critical dimmensions required for installation should be taken directly on the unit being installed.

***Warranty**

Acrylic : 30 Years / Blower motor(s) : 20 Years / Control(s) : 5 Years
* Some restrictions apply, Copy available upon request.

Bliss II Encore Collection Order Form

STANDARD POSITIONING

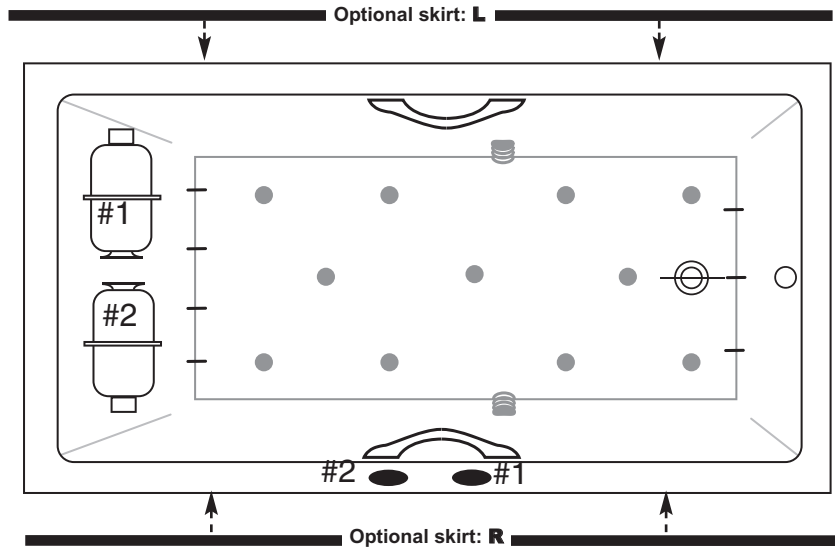
P.O.# _____

Quantity: _____

Cust. ref.# _____

Application:

- Recessed
- Drop in
- Undermount



	Color of bath	<input type="checkbox"/> White or <input type="checkbox"/> Biscuit or <input type="checkbox"/> Bone or <input type="checkbox"/> other* (specify color) _____ <small>*Contact customer service to verify availability of non std. colors.</small>	
	System	<input type="checkbox"/> True Drain Channel or <input type="checkbox"/> Injection air or <input type="checkbox"/> Ultimate Combination	
	Control	Trim Color: <input type="checkbox"/> White or <input type="checkbox"/> Biscuit or <input type="checkbox"/> Chrome or <input type="checkbox"/> Brushed Nickel or <input type="checkbox"/> Gold Note: indicate control location on above drawing and return with order form.	
	Chromotherapy (optional)	<input type="checkbox"/> Two (2) Lights	
	Acrylic Grab Bar(s) (optional)	<input type="checkbox"/> 1* or <input type="checkbox"/> 2 <input type="checkbox"/> 8" or <input type="checkbox"/> 12"	Specify color _____ *If 1, indicate location on drawing
	Injectors	Select type: <input type="checkbox"/> Standard (Specify Color) _____ OR <input type="checkbox"/> Mini (specify colors) Trim _____ Center cap _____	
	Waterfall Fill Spout (optional)	<input type="checkbox"/> A <input type="checkbox"/> B (see drawing) NOT APPLICABLE FOR THIS MODEL	
	Overflow side	<input type="checkbox"/> A <input type="checkbox"/> B (see drawing) NOT APPLICABLE FOR THIS MODEL	
	Turnstyle Drain (optional)	Specify color _____ (Field installation required)	
	Tiling Flange (optional)	<input type="checkbox"/> Fiberglass (Factory installed, specify location) or <input type="checkbox"/> PVC (Field installation required)	
	Acrylic Skirt (optional)	(Factory installed) : <input type="checkbox"/> Easy access skirt or <input type="checkbox"/> Easy step skirt (Field installation required) : <input type="checkbox"/> Standard rectangular skirt or <input type="checkbox"/> N/A skirt	
	Blower Relocation Kit	12' Relocation kit (includes air hose, wires and necessary hardware) <input type="checkbox"/> 1 or <input type="checkbox"/> 2 <input type="checkbox"/> Extension Wire(s), specify application _____	

	Indicates location of blower motor		Indicates location of overflow hole.
	Indicates location of control.		Indicates location of tiling flange
	Indicates location of lights in bath.		Indicates location of skirt
	Indicates location of grab bar(s) in bath.		Indicates location of injectors in bath.
	Indicates location of Waterfall fill spout.		

Final approval: _____ (signature) Printed name: _____ Date: (dd-mm-yy)