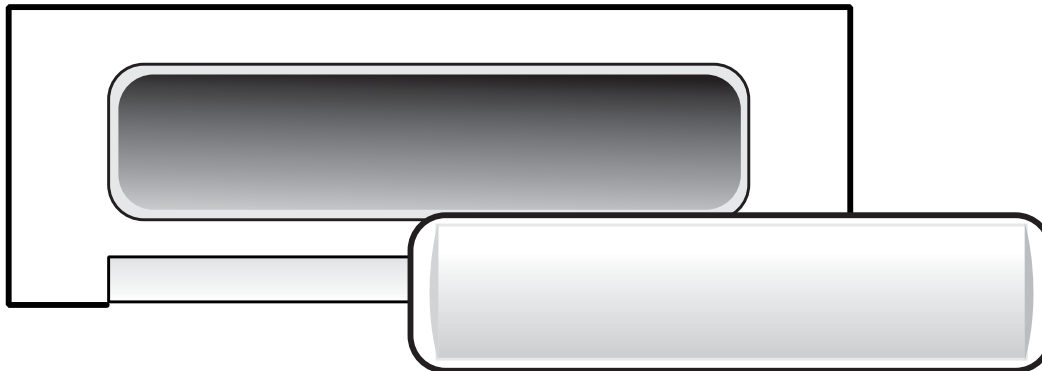




Easy Access Skirt

Front view



Removable panel for easy access to hydrotherapy systems

- **Factory Installed**
- **Compatible with 5', 5 1/2' & 6' foot square & rectangular tubs**
- **Colors: white, bone or biscuit**
- **Available on: Roma 6030, 6632, 7232,
Prima 6036, 6042, 6636, 7236, 7242
Calypso, Paradisio, Ex Aequo, Victoria,
Victoria Supreme, Tango, Serenade, Tiffany,**

WARRANTY

Acryline® warrants to the original purchaser only that its Acrylic skirts are free from defect in material or workmanship. Acryline® offers a (30) year warranty on Acrylic skirts. If any product fails during this period due to material or workmanship the original purchaser should notify Acryline® customer service.

Job _____

Location _____

Architect _____

Engineer _____

Contractor _____

Representative _____

Modifications

Received and / or Approved by :

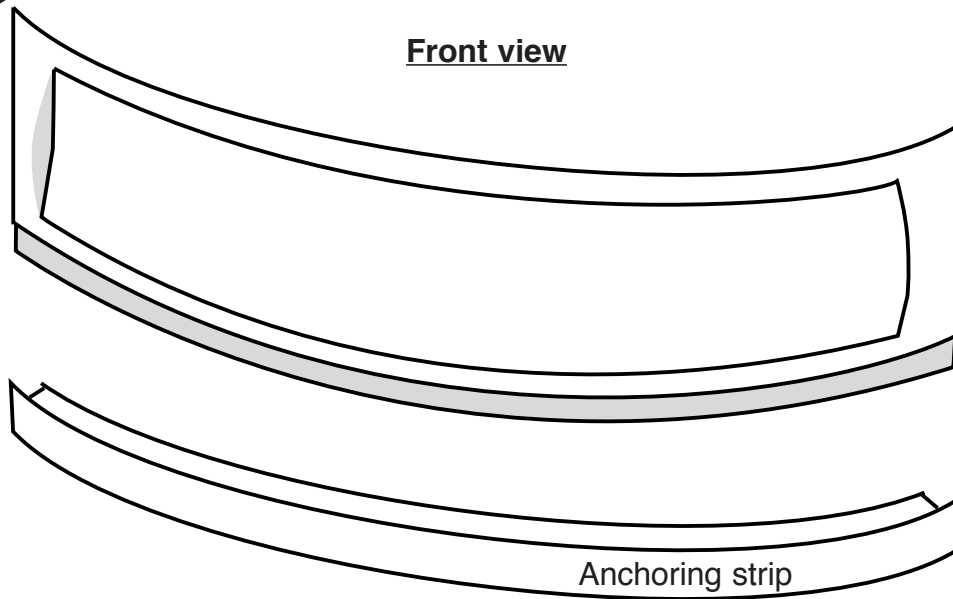
ACRYLINE® USA, Inc.
403 County Road - Building 6,
Cliffwood, N.J. 07721
Tel: 732-441-3990 Fax: 732-441-3991

November 2006

ACRYLI CANADA
2015 rue Bécancour,
Lyster (Québec), CANADA, G0S 1V0
Tel: (819) 389-5818, Fax: (819) 389-5785



Eden skirt



- **Standard Colors: white, bone or biscuit**
- **Specify left or right hand drain**

WARRANTY

Acryline® warrants to the original purchaser only that its Acrylic skirts are free from defect in material or workmanship. Acryline® offers a (30) year warranty on Acrylic skirts. If any product fails during this period due to material or workmanship the original purchaser should notify Acryline® customer service .

Modifications

Job _____

Location _____

Architect _____

Engineer _____

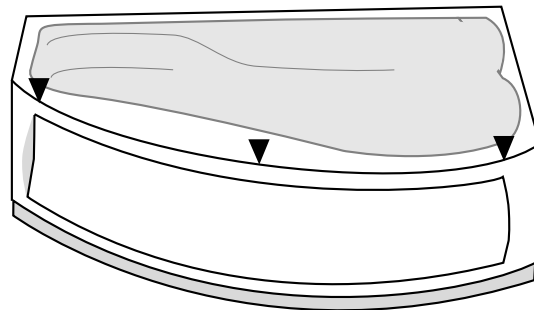
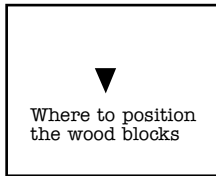
Contractor _____

Representative _____

Received and / or Approved by : _____



INSTALLATION INSTRUCTIONS for EDEN bath skirt



IMPORTANT
Make a trial fit of the skirt
before finalizing installation.

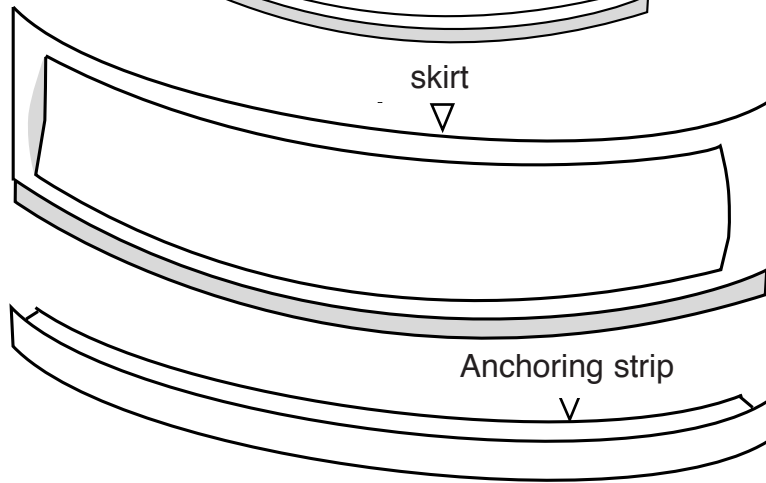
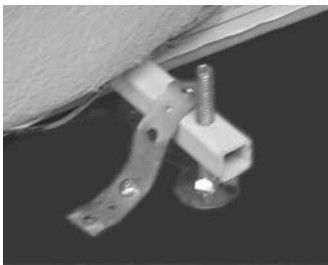


PHOTO A



1

Once the leveled installation of the tub is completed, fix adjustable legs to floor (photo A). Glue the wood blocks beneath the rim of the tub and let it dry until blocks are solidly in place. With a level trace a line on the floor following the tub rim. (figure

2

Secure the anchoring strip to the floor 2" inside the line. (see figure 2)

3

Insert the top of the skirt under the flange of the tub and then screw the skirt to the anchoring strip. Use the 6 predrilled holes as guides.

figure 2

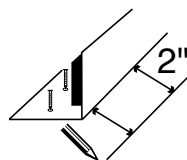
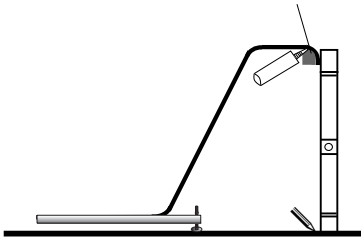


figure 1

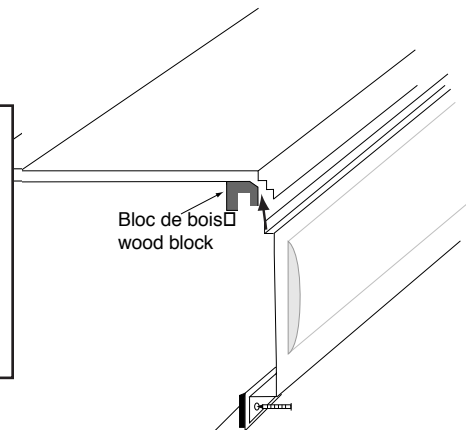
wood block



note:

our skirt has been designed to fit in a variety of installation applications. In some cases it may be necessary to slightly trim the ends of the skirt. you must use a circular fine tooth saw from behind (the fiberglass unfinished side).

Bloc de bois
wood block

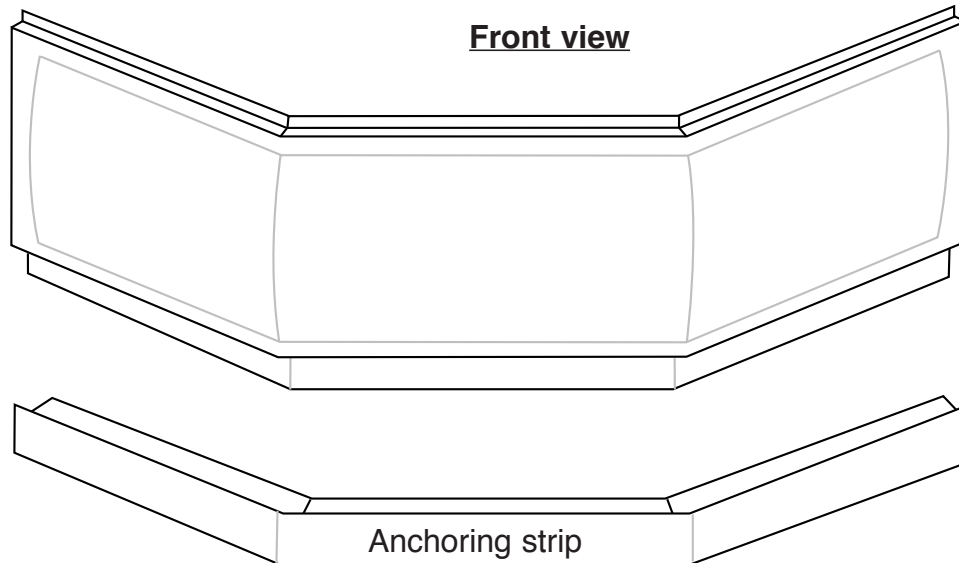


November 2006

Tel: (732) 441-3990 Fax: (732) 441-3991



Neo Angle Skirt



- **Compatible with Mini, Dauphin, Diana, Opale, Niagara, Bermuda, MontRoyal**

- **Standard Colors: white, bone or biscuit**

WARRANTY

Acryline® warrants to the original purchaser only that its Acrylic skirts are free from defect in material or workmanship. Acryline® offers a (30) year warranty on Acrylic skirts. If any product fails during this period due to material or workmanship the original purchaser should notify Acryline® customer service.

Modifications

Job _____

Location _____

Architect _____

Engineer _____

Contractor _____

Representative _____

Received and / or Approved by : _____

ACRYLINE® USA, Inc.
 403 County Road - Building 6,
 Cliffwood, N.J. 07721
 Tel: 732-441-3990 Fax: 732-441-3991

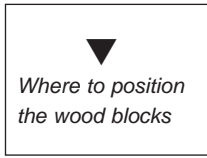
November 2006

ACRYLI CANADA
 2015 rue Bécancour,
 Lyster (Québec), CANADA, G0S 1V0
 Tel: (819) 389-5818, Fax: (819) 389-5785



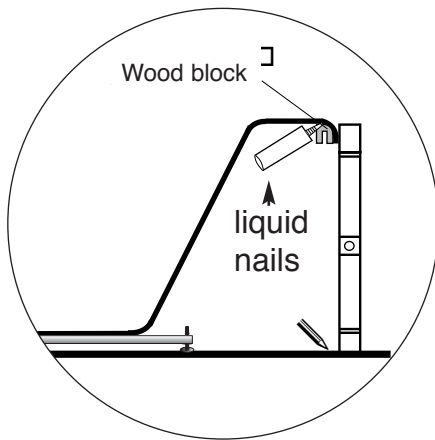
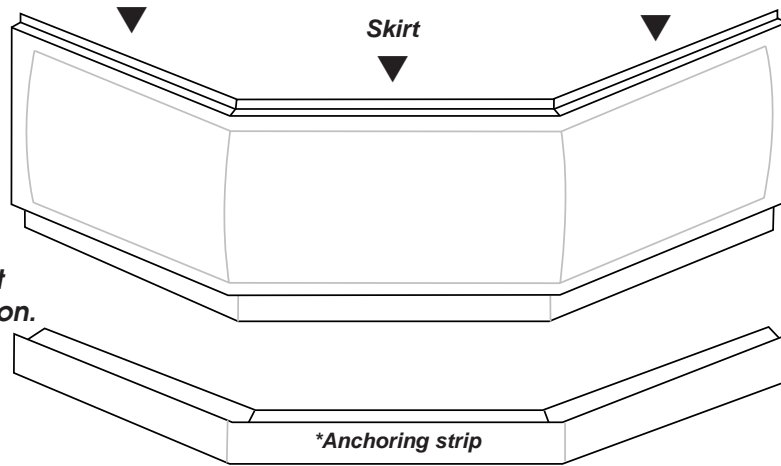
INSTALLATION INSTRUCTIONS

for a neo-angle bath skirt



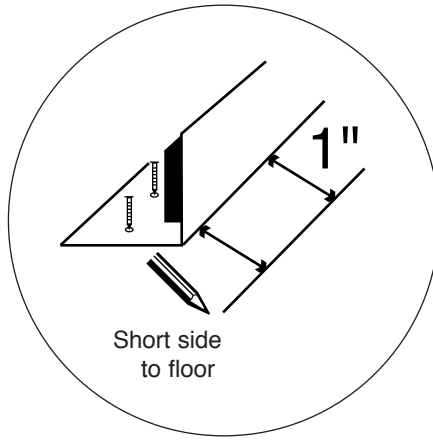
IMPORTANT

Make a trial fit of the skirt before finalizing installation.



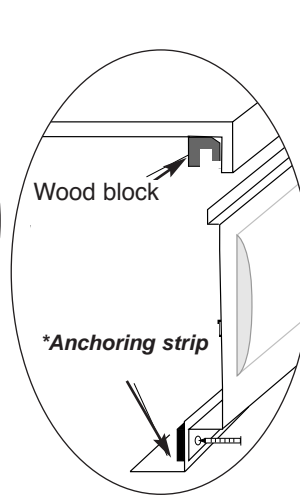
1

Once the leveled installation of the tub is completed, fix adjustable legs to floor (photo A). Glue the wood blocks beneath the rim of the tub and let dry until blocks are solidly in place. With a level trace a line on the floor following the tub rim. (see figure 1)



2

Secure the anchoring strip to the floor 1" inside the line. (see figure 2)



3

Insert the top of the skirt under the flange of the tub and then screw the skirt to the anchoring strip. Use the 6 predrilled holes as guides. (see figure 3)

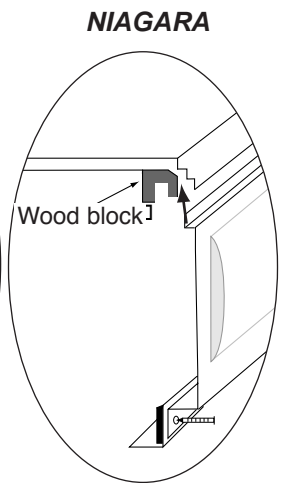
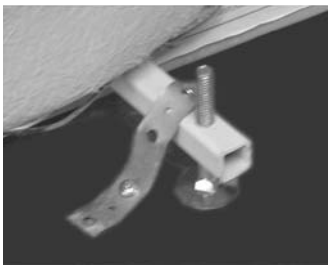


PHOTO A



note:

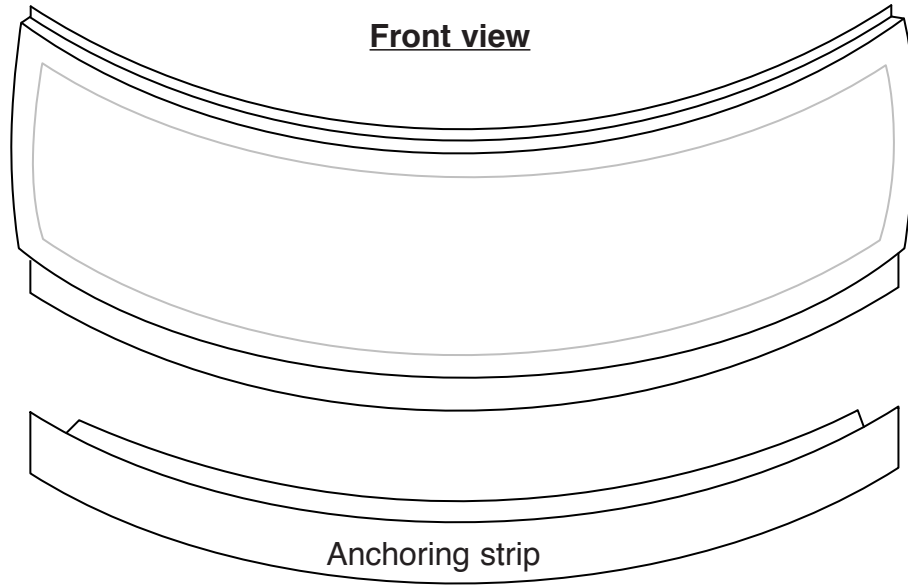
our skirt has been designed to fit in a variety of installation applications. In some cases it may be necessary to slightly trim the ends of the skirt. you must use a circular fine tooth saw from behind (the fiberglass unfinished side).

November 2006

Tel: (732) 441-3990 Fax: (732) 441-3991



Round Skirt



- **Compatible with Montego, Rendezvous**
- **Standard Colors: white, bone or biscuit**

WARRANTY

Acryline® warrants to the original purchaser only that its Acrylic skirts are free from defect in material or workmanship. Acryline® offers a (30) year warranty on Acrylic skirts. If any product fails during this period due to material or workmanship the original purchaser should notify Acryline® customer service.

Modifications

Job _____

Location _____

Architect _____

Engineer _____

Contractor _____

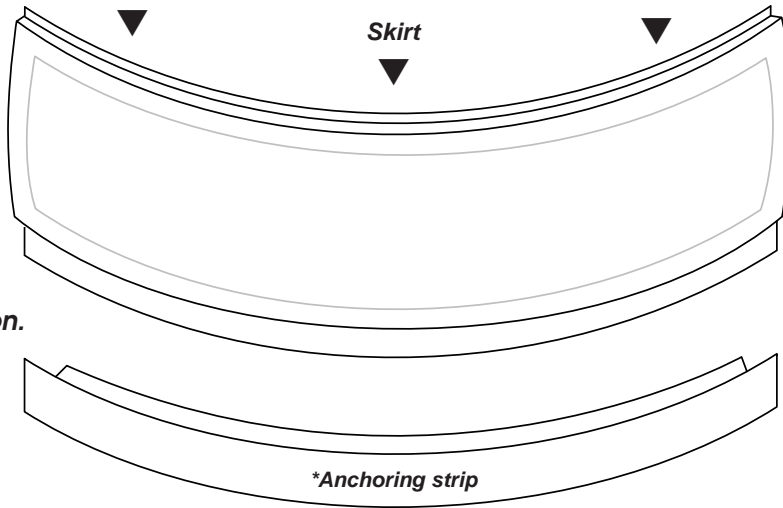
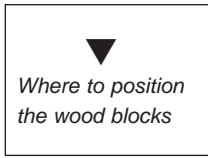
Representative _____

Received and / or Approved by :

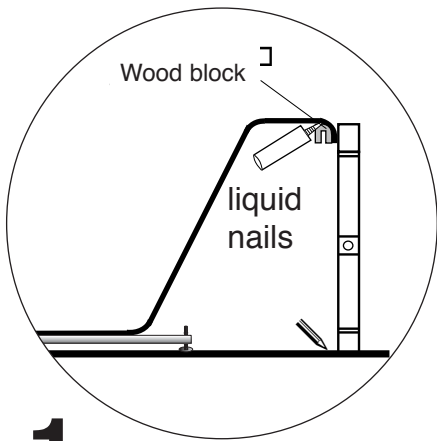


INSTALLATION INSTRUCTIONS

for a round front corner bath skirt

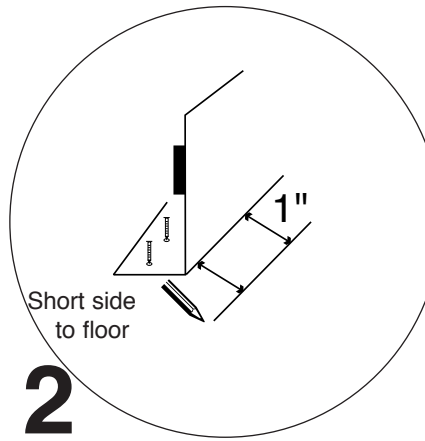


IMPORTANT
 Make a trial fit of the skirt
 before finalizing installation.



1

Once the leveled installation of the tub is completed, fix adjustable legs to floor (photo A). Glue the wood blocks beneath the rim of the tub and let dry until blocks are solidly in place. With a level trace a line on the floor following the tub rim. (see figure 1)

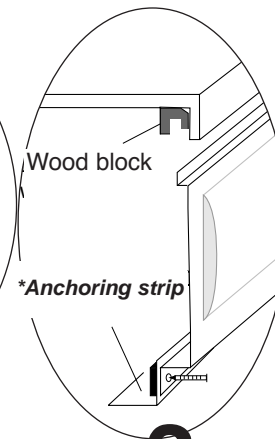


2

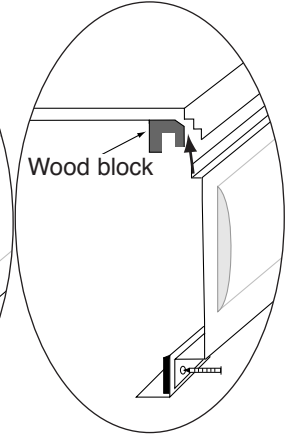
Secure the anchoring strip to the floor 1" inside the line. (see figure 2)

RENDEZ-VOUS

MONTEGO



3



Insert the top of the skirt under the flange of the tub and then screw the skirt to the anchoring strip. Use the 6 predrilled holes as guides. (see figure 3)

PHOTO A



note:
 our skirt has been designed to fit in a va-riety of installation applications. In some cases it may be necessary to slightly trim the ends of the skirt. you must use a circular fine tooth saw from behind (the fiberglass unfinished side).

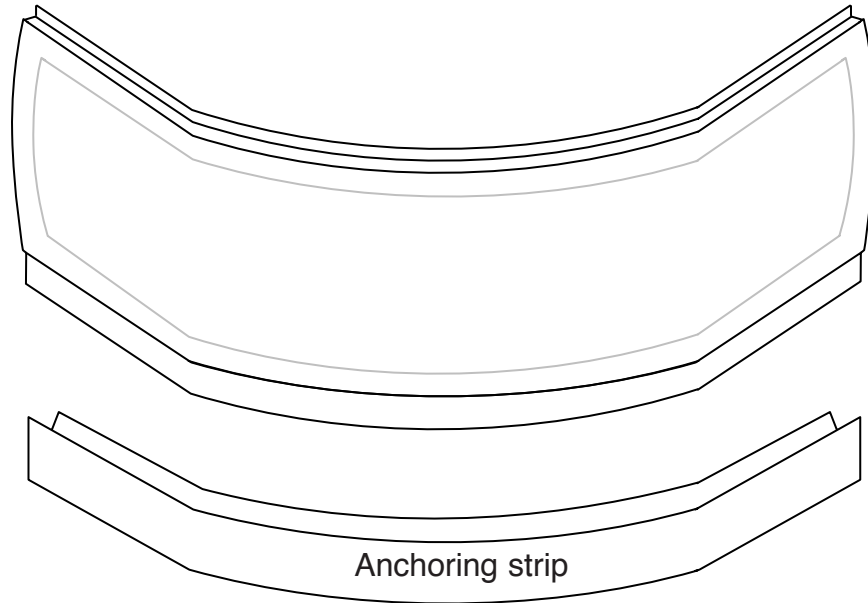
November 2006

Tel: (732) 441-3990 Fax: (732) 441-3991



Passion Skirt

Front view



- **Standard Colors: white, bone, or biscuit**

WARRANTY

Acryline® warrants to the original purchaser only that its Acrylic skirts are free from defect in material or workmanship. Acryline® offers a (30) year warranty on Acrylic skirts. If any product fails during this period due to material or workmanship the original purchaser should notify Acryline® customer service.

Modifications

Job _____

Location _____

Architect _____

Engineer _____

Contractor _____

Representative _____

Received and / or Approved by :

ACRYLINE® USA, Inc.
403 County Road - Building 6,
Cliffwood, N.J. 07721
Tel: 732-441-3990 Fax: 732-441-3991

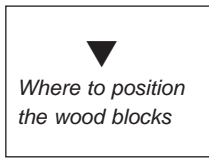
November 2006

ACRYLI CANADA
2015 rue Bécancour,
Lyster (Québec), CANADA, G0S 1V0
Tel: (819) 389-5818, Fax: (819) 389-5785



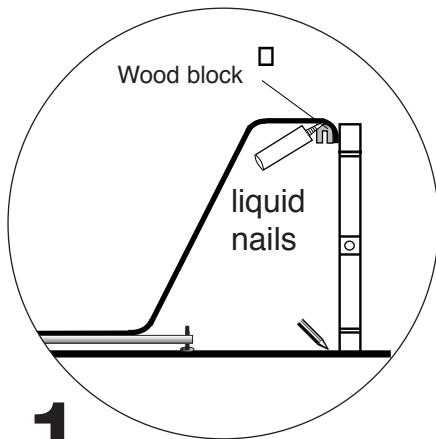
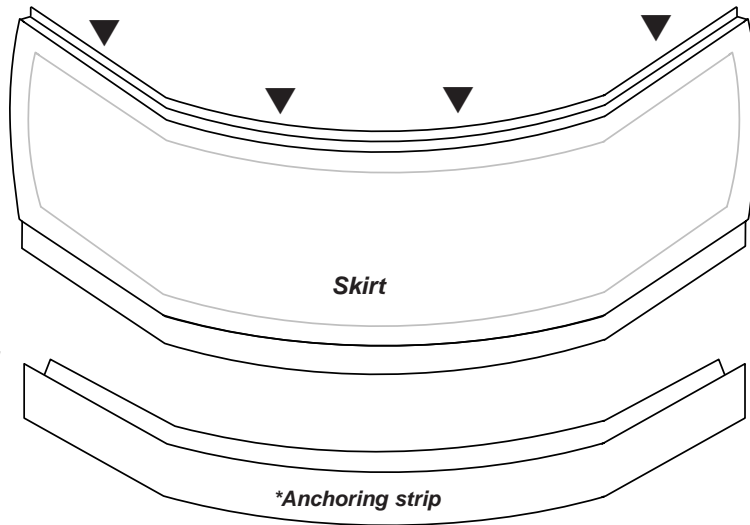
INSTALLATION INSTRUCTIONS

for a *PASSION* skirt



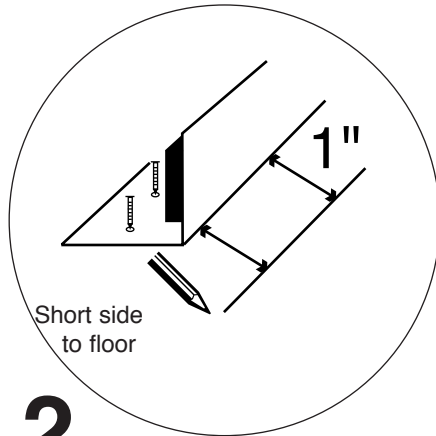
IMPORTANT

Make a trial fit of the skirt before finalizing installation.



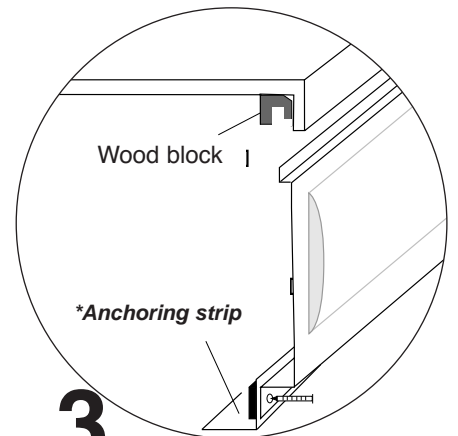
1

Once the leveled installation of the tub is completed, fix adjustable legs to floor (photo A). Glue the wood blocks beneath the rim of the tub and let dry until blocks are solidly in place. With a level trace a line on the floor following the tub rim. (see figure 1)



2

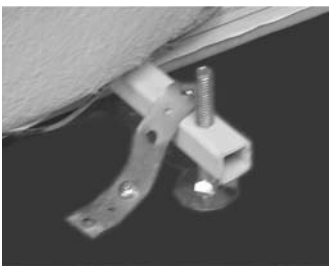
Secure the anchoring strip to the floor 1" inside the line. (see figure 2)



3

Insert the top of the skirt under the flange of the tub and then screw the skirt to the anchoring strip. Use the 6 predrilled holes as guides. (see figure 3)

PHOTO A



November 2006

Tel: (732) 441-3990 Fax: (732) 441-3991