



CORNER

Shown Without Seats

NIAGARA

60" X 60" X 23³/₈"

71 US Gallons

- Corner
- White or Biscuit
- Center Drain
- Optional Raised Seats
- With Armrests
- 73 Channel Air Jets With Seat & 16 Injector Air Jets
- Heated Headrest (when equipped with air system)
- Lumbar Support
- Adjustable (Leveling) Legs

ACCESSORY UPGRADES

TILING FLANGE

P.V.C. Tiling Flange (Field Installation Required)

Fiberglass Tiling Flange (Factory Installed)

CORNER APRON

Field installation required #SKTCNR

INTEGRAL WATERFALL

Integrally Molded Waterfall Tub Filler

REMOTE CONTROL

With True Drain® Air Channel or Injector System
(not applicable for Ultimate Combo)

KEYPAD TRIM(S) (does not apply to remote control)

White / Biscuit

INCLUDED

Chrome (N/A for Classic Collection models)

Brushed Nickel (N/A for Classic Collection models)

INJECTOR TRIM(S) (for Injector and Ultimate Combo Air System)

Standard White or Biscuit

INCLUDED

Standard Chrome or Brushed Nickel

Mini Chrome/White or Brushed Nickel/White

CHROMOTHERAPY

4 LED Chromotherapy Lights

2 LED Chromotherapy Lights

PILLOW (please specify side if only ordering 1 pillow)

Extra Soft Pillow (Magnetized) *Available in white, black & gray.

GRAB BARS: AVAILABLE WITH 1 or 2 (please specify side if ordering 1 grab bar)

8" Acrylic Grab Bar

DRAIN & OVERFLOW

Chrome

Brushed Nickel

FAUCETS (see page 103)

Soto Wallmount Tub Filler With Handshower - Chrome

ENCORE COLLECTION MODELS

TRUE DRAIN® AIR CHANNEL

NIAG01 with Heated Back/Headrest



INJECTOR AIR

NIAG04 with Heated Headrest



ULTIMATE COMBO

NIAG06 with Heated Back/Headrests



CLASSIC COLLECTION MODELS

SOAKER BATH

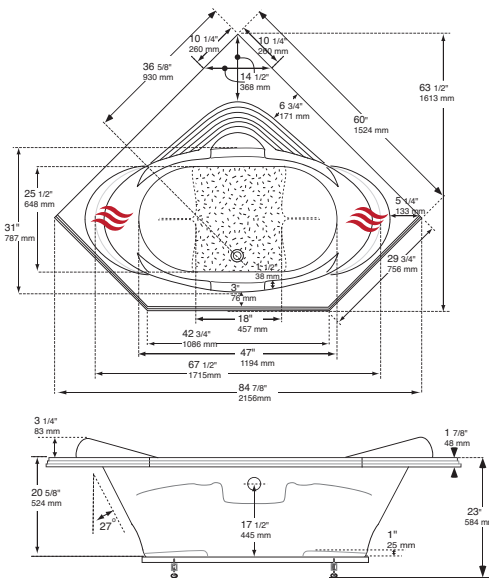
NIAGRR

CLASSIC TRUE DRAIN® CHANNEL

NIAG09 with Heated Back/Headrest



ARCHITECTURAL SPECIFICATIONS



RELOCATION KIT (each kit allows for relocation of up to 12')

Single System (Channel or Injector)

\$

Ultimate System