

*ACRYLINE*<sup>®</sup>  
Spa Baths

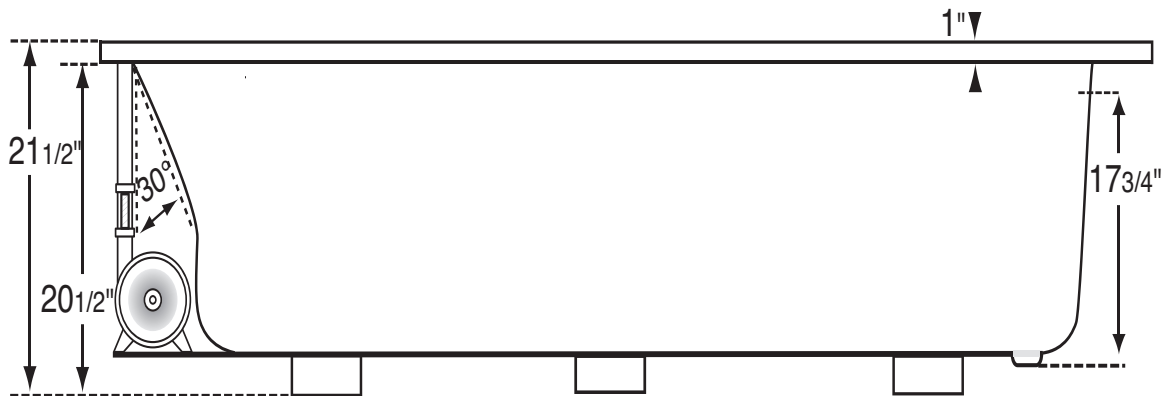
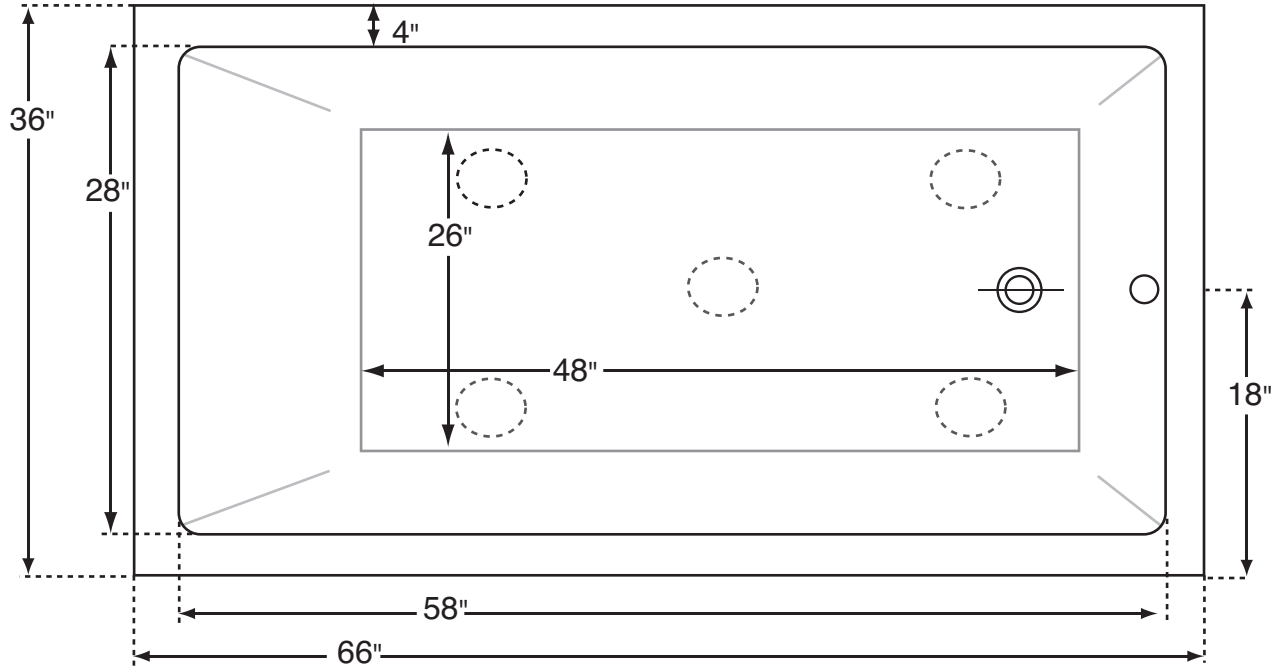
# ***Bliss II***



[www.acryline.ca](http://www.acryline.ca)

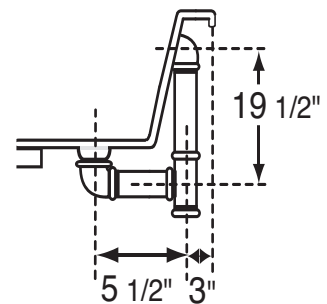
# Bliss II

## Classic Collection



Overall outer dimensions may vary plus or minus 1/4 inch.  
Inner dimensions of flat surfaces show minimum flat surface.  
Radius or curve length is not shown.  
The sum of the flat surface dimensions  
will not equal overall length.

All published dimensions are for reference  
only. Any critical dimensions required  
for installation should be taken directly  
from the bath being installed.



# Bliss II

## Classic Collection Technical Specification

SYSTEMS AVAILABLE	STATISTICS	CONFIGURATIONS
<b>Soaker</b>	<b>Size:</b> 66"L X 36"W X 21 1/2"H	<b>Heated Head/Neck rest(s):</b> 1 w/ system
	<b>Gallons US:</b> 70 <b>Liters:</b> 266	<b>Armrests :</b> 0
<b>True Drain Channel</b> 58 Air Portals	<b>No. of Bathers:</b> 1	<b>Raised Seats :</b> 0
	<b>Lumbar Support :</b> 1	<b>Reveal:</b> 1 ''
	<b>Water Depth :</b> 17 3/4"	<b>Applications:</b> Recessed, Drop-in or Undermount

STANDARD FEATURES	OPTIONAL FEATURES
Standard Colors : White or Biscuit	<b>Chromotherapy Light :</b> 1 LED (with electronic control)
PVC legs	<b>Grab Bars :</b> Qty: 1 or 2      Size 8" or 12" ,
	<b>Tiling Flange:</b> Integral or None
<b>Below features standard with True drain Channel System</b>	<b>Skirt :</b> Easy Access skirt, Easy Step skirt or Rectangular skirt.
1 Hp heated blower motor with silencer	<b>Relocation Kits / Extension Wires :</b> Up to 12'
3 speed electronic Control (not installed)	<b>Control :</b> Multifunction Electronic Control (not installed)
Auto Dry Cycle	<b>Turnstyle Drain:</b> Available in White, Biscuit, Bone, Chrome, Brushed Nickel or Gold.

**STANDARDS**  
ANSI Z124.1 / CSA B45.5-02, CSA B45.0-02  
UL1795 Third Edition, Rev. Sept.2006 CSA C22.2 No.218.2-93 (R2004)ASME A112.19.7

**Electrical Requirements**

-True Drain system baths require a dedicated 15A. 120V, circuit protected by a ground fault circuit interrupter. (GFCI) If ordered with an optional chromotherapy light, the light can be added to the same circuit . **Always consult local electrical code for requirements.**  
-Soaking baths, if ordered with a light system will require a dedicated 15A. 120V, circuit protected by a ground fault circuit interrupter. (GFCI)

**Notes**

All published dimmensions are for reference only. Acryline accepts a 1/4"(0.64 cm) variance. Technical specifications are subject to change when product improvements are performed. All critical dimmensions required for installation should be taken directly on the unit being installed.

**\*Warranty**

**Acrylic : 10 Years / Blower motor(s) : 5 Years / Control(s) : 1 Year**  
\* Some restrictions apply, Copy available upon request.

# BLISS II

## Classic Collection Order Form

### STANDARD POSITIONING

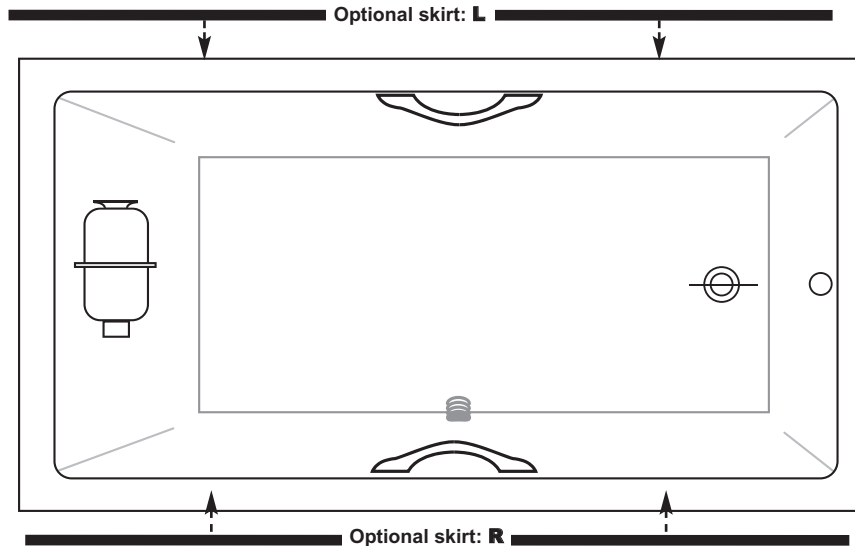
P.O.# \_\_\_\_\_

Quantity: \_\_\_\_\_

Cust. ref.# \_\_\_\_\_

**Application:**

- Recessed
- Drop in
- Undermount



	<b>Color of bath</b>	<input type="checkbox"/> White or <input type="checkbox"/> Biscuit (Control requires field installation, instructions provided with bath and available in library section of website).	
	<b>System</b>	<input type="checkbox"/> True Drain Channel or <input type="checkbox"/> Soaker	
	<b>Control</b>	<input type="checkbox"/> 3 Speed Electronic Ctrl (Std.) or <input type="checkbox"/> Multi-Function Ctrl (Optional)	
	<b>Chromotherapy (optional)</b>	<input type="checkbox"/> Single light with separate control	
	<b>Acrylic Grab Bar(s) (optional)</b>	<input type="checkbox"/> 1* or <input type="checkbox"/> 2 <input type="checkbox"/> 8" or <input type="checkbox"/> 12"	Specify color _____ *If 1, indicate location on drawing
	<b>Waterfall Fill Spout (optional)</b>	<input type="checkbox"/> A <input type="checkbox"/> B (see drawing) <b>NOT APPLICABLE FOR THIS MODEL</b>	
	<b>Overflow side</b>	<input type="checkbox"/> A <input type="checkbox"/> B (see drawing) <b>NOT APPLICABLE FOR THIS MODEL</b>	
	<b>Turnstyle Drain (optional)</b>	Specify color _____ (Field installation required)	
	<b>Tiling Flange (optional)</b>	<input type="checkbox"/> Fiberglass (Factory installed, specify location) or <input type="checkbox"/> PVC (Field installation required)	
	<b>Acrylic Skirt (optional)</b>	(Factory installed) : <input type="checkbox"/> Easy access skirt or <input type="checkbox"/> Easy step skirt (Field installation required) : <input type="checkbox"/> Standard rectangular skirt or <input type="checkbox"/> N/A skirt	
	<b>Blower Relocation Kit</b>	<input type="checkbox"/> 12' Relocation kit (includes flexible air hose, extension wires and necessary hardware) <input type="checkbox"/> Extension Wire(s), specify application _____	

	Indicates location of blower motor		Indicates location of overflow hole.
	Field installed electronic control		Indicates location of tiling flange
	Indicates location of light in bath.		Indicates location of skirt
	Indicates location of grab bar(s) in bath.		
	Indicates location of Waterfall fill spout.		

Final approval: \_\_\_\_\_ (signature) Printed name: \_\_\_\_\_ Date: (dd-mm-yy)